



Foothill Gold Line

**Gold Line Operations Campus
Stormwater Management**

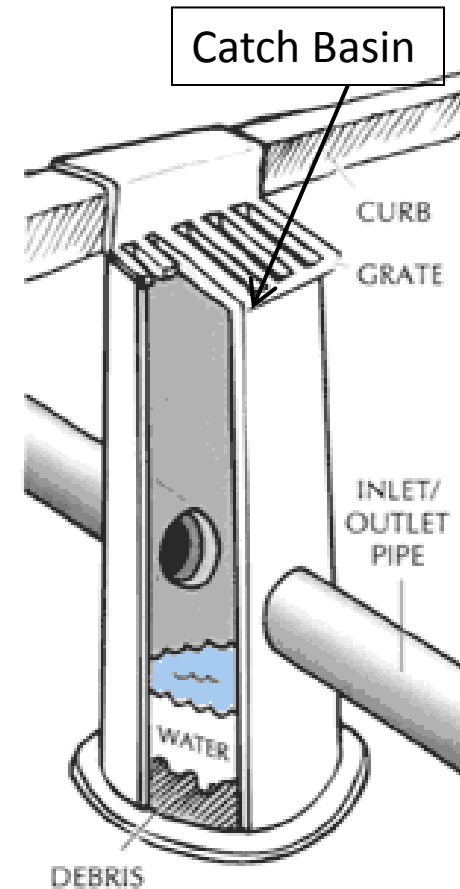
Campus Stormwater Management

The Construction Authority is committed to implementing sustainable stormwater management, treatment and infiltration provisions at the Gold Line Operations Campus.



Campus Stormwater Management - Original Approach

- Installation of a series of catch basins (14) to collect water run-off from the impermeable surfaces (paved areas and building roofs)
- Use catch basin inserts to filter out pollutants
- Dump all collected water run-off into storm drain system



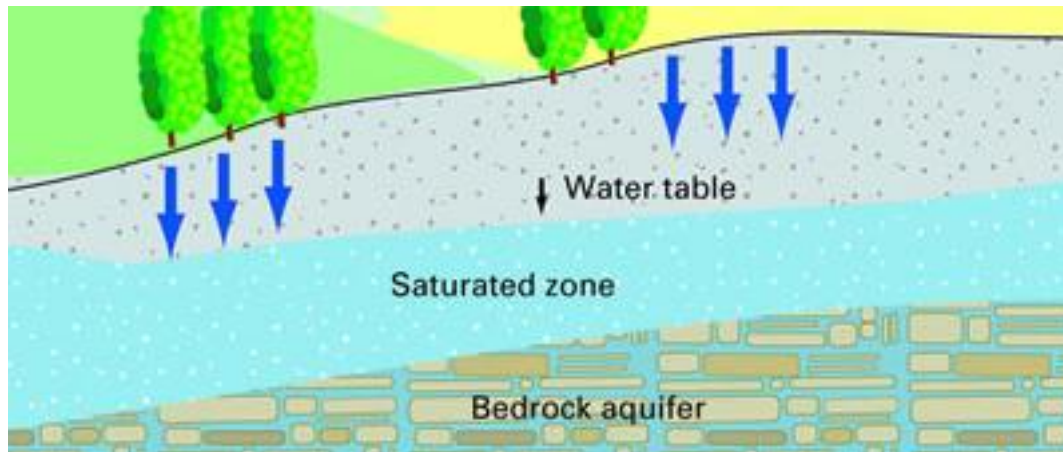
Campus Stormwater Management - Original Approach

- Did NOT allow water to *infiltrate* and recharge the groundwater
 - All water would be collected into storm drains and dumped into the ocean
- Catch basin filters require significant cleaning and maintenance



Campus Stormwater Management - Chosen Approach

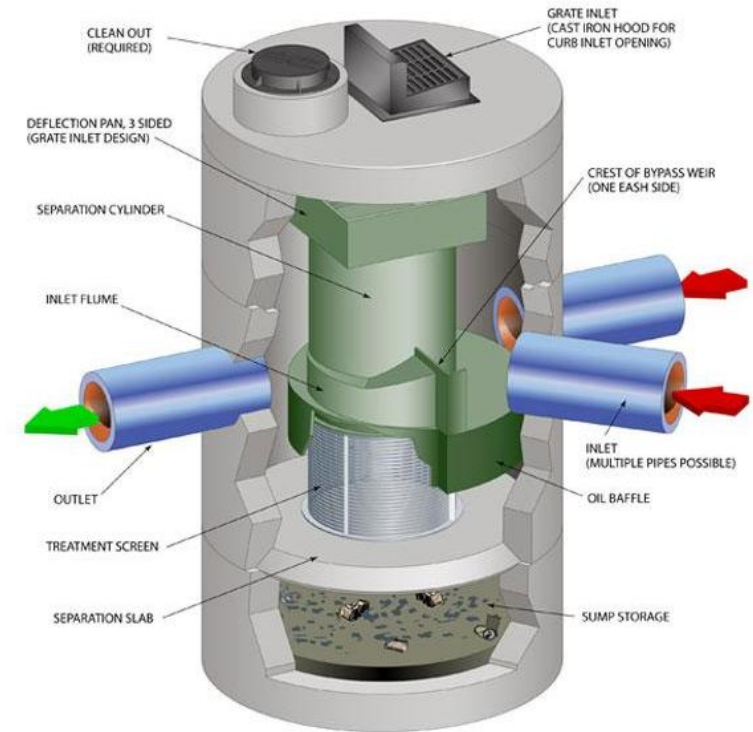
- Following new stormwater management guidelines, proposed water treatment and infiltration has now been designed to capture the first $\frac{3}{4}$ " storm (112,000 gallons)



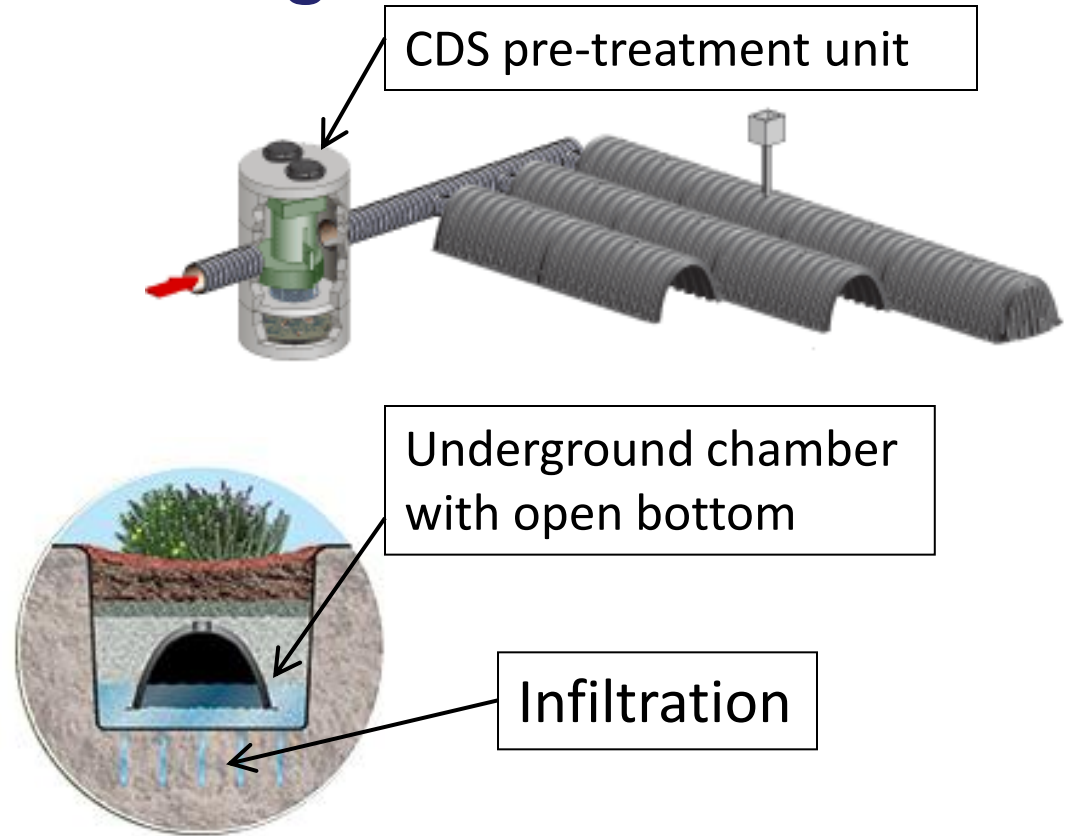
- Water will also be able to infiltrate through the ballasted and landscaped areas

Campus Stormwater Management - Chosen Approach

- Water will first pass through a Central Deflection System (CDS) unit that filters the runoff to improve water quality
- The CDS units only require maintenance approximately twice a year – typically before the rainy season and after the rainy season (can be easily inspected after a storm event)



Campus Stormwater Management - Chosen Approach



CDS units connect to underground detention system comprised of stormwater chambers with open bottom that allow water to infiltrate and recharge groundwater.



Stay Connected:
foothillgoldline.org
iwillride.org

 /iwillride

 @iwillride